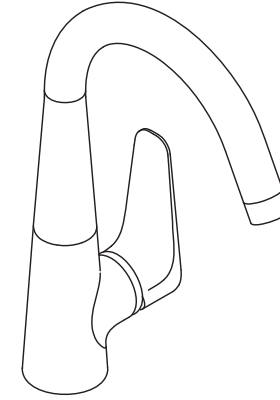
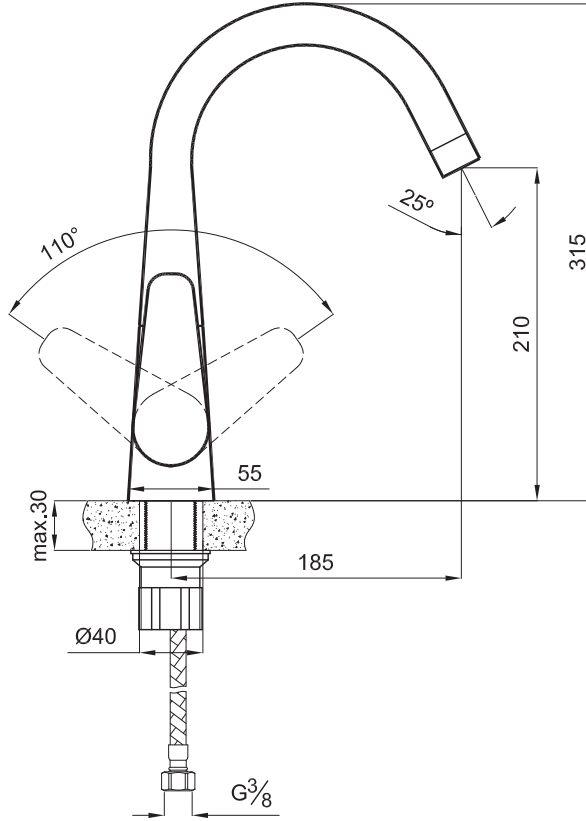
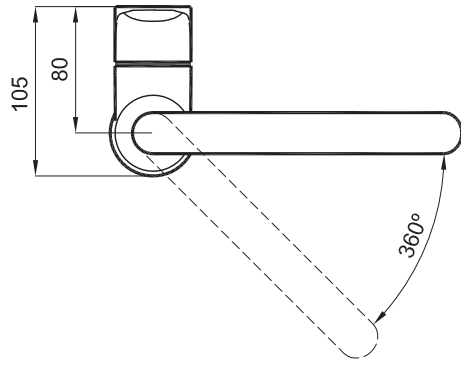


A4



| | | | |
|---|---------------|--------------|--------------|
| DRAWING BY | G.GULTER | PRODUCT NAME | Basin Mixer |
| CONTROL BY | E.DUVENCIOGLU | DRAWING NO | 410200500515 |
| APPROVED BY | B.CIRACI | SERIES | ZERO |
| DATE | 07.02.2019 | REVISION | 2019-00 |
| SCALE | 1/5 | MATERIAL | |
| Kale * Kale Banyo önceden haber vermeksizin, ürünler ve teknik detaylarında değişiklik yapma hakkını saklı tutar. * We reserve the right to make technical modifications and alter colours without prior notice. | | | |
| | | | |

| ITEM | QUANTITY | PART NAME | DRAWING NO | MATERIAL |
|------|----------|-------------|--------------|----------|
| 1 | 1 | Basin Mixer | 410200500515 | |