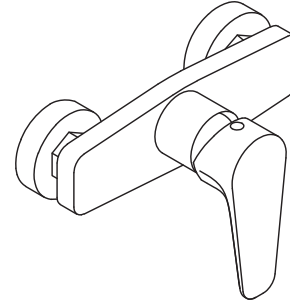
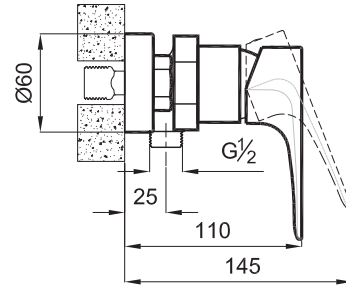
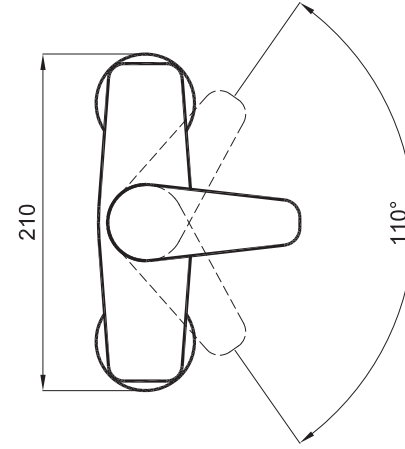
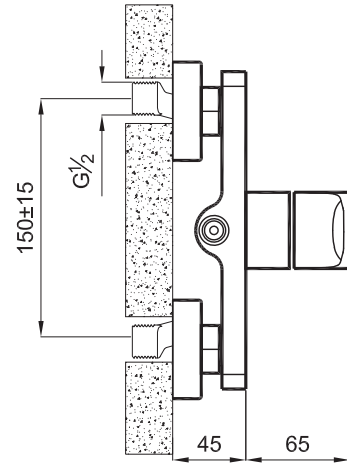


A4



DRAWING BY	G.GULTER	PRODUCT NAME	Bath Shower Mixer
CONTROL BY	E.DUVENCIOGLU	DRAWING NO	410200500511
APPROVED BY	B.CIRACI	SERIES	ZERO
DATE	07.02.2019	REVISION	2019-00
SCALE	1/5	MATERIAL	
Kale * Kale Banyo önceden haber vermeksizin, ürünler ve teknik detaylarında değişiklik yapma hakkını saklı tutar. * We reserve the right to make technical modifications and alter colours without prior notice.			

ITEM	QUANTITY	PART NAME	DRAWING NO	MATERIAL
1	1	Bath Shower Mixer	410200500511	